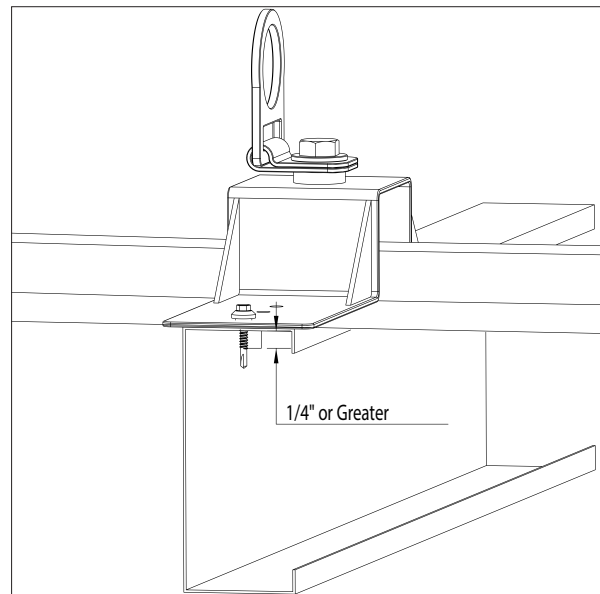


**Corrugated Roof Anchor Specifications**

Subject: Additional Installation Information for the Corrugated Roof Anchor
Related Products: 024-4112, 024-4113
Related Standards: OSHA 1926.502, 1910.140, 1910.66
Date: 03-31-2025
Revision: 1

The Safewaze Corrugated Roof Anchor is conveniently designed for use with the installation location's fasteners already attaching the decking to the purlin. When installing the anchor, the fasteners must penetrate both the decking and the purlin underneath. The decking thickness must be a minimum of 24 gauge. The purlin thickness must be a minimum of 16 gauge.

Additionally, the fasteners require a minimum 1/4" of thread exposure through the purlin for appropriate installation. If this is not possible due to the length of the installation location's fasteners, longer hardware is required. The original hardware can be saved and reinstalled following the removal of the anchor.



The product manual has been updated to include this clarifying information and can be downloaded from the Safewaze website. Please refer to the updated manual for complete installation information.

A Competent Person must determine the overall system is capable of withstanding anticipated fall loads and meets, or exceeds, OSHA required anchorage strength regulations. The manufacturer's instructions should always be read, understood, and followed for all components and subsystems in the Personal Fall Arrest System (PFAS).

For questions regarding the information in this Technical Bulletin, please contact Customer Service at (800) 230-0319.