

## FREEDOM OF MOVEMENT FOR GREATER JOB EFFICIENCY

Sliding Beam Anchor 3.5-15"  
*More range, less weight*

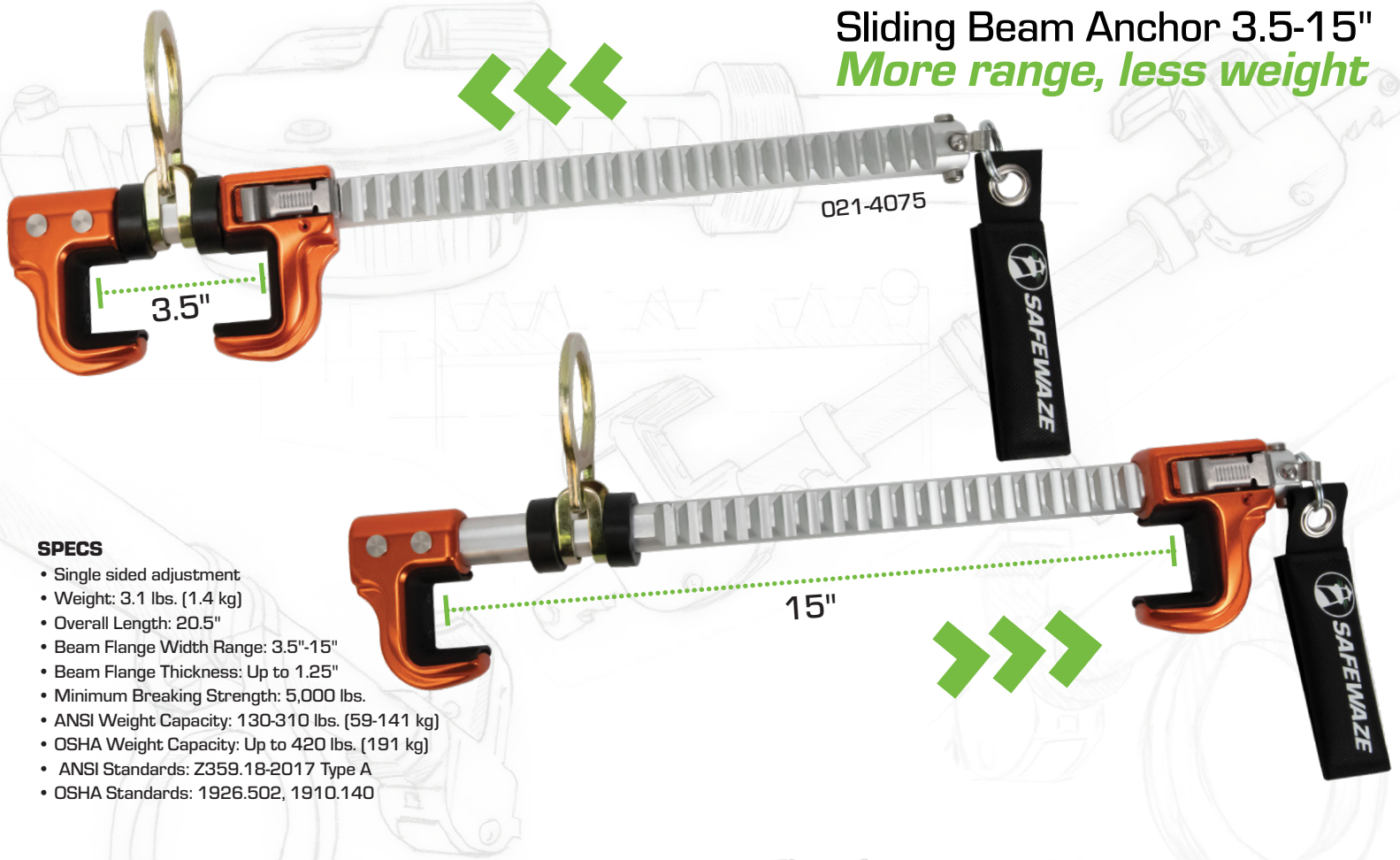
- Increased beam width – up to 15" wide
- Hands-free mobility with smooth trailing action
- Lightweight, compact aluminum construction
- Versatile tie-off either overhead or foot level

### FEATURES

- 1 Money-saving replaceable jaw liners
- 2 Greater range with 180° rotating D-ring connection
- 3 Quick lock & release one-handed triggers
- 4 Increased slide efficiency from nylon rollers
- 5 Ensure compliance with protective label cover

# Sliding Beam Anchor 3.5-15"

*More range, less weight*



**SPCS**

- Single sided adjustment
- Weight: 3.1 lbs. (1.4 kg)
- Overall Length: 20.5"
- Beam Flange Width Range: 3.5"-15"
- Beam Flange Thickness: Up to 1.25"
- Minimum Breaking Strength: 5,000 lbs.
- ANSI Weight Capacity: 130-310 lbs. (59-141 kg)
- OSHA Weight Capacity: Up to 420 lbs. (191 kg)
- ANSI Standards: Z359.18-2017 Type A
- OSHA Standards: 1926.502, 1910.140

## RELATED PRODUCTS

	021-4068	Beam Walker Easy Slider 3.5" - 14"
	021-4069	Beam Walker Easy Slider 12" - 30"
	021-4055	Premier Sliding Beam Anchor 4" - 13"
	018-4001	Beam Trolley Anchor
	019-4009	Vertical/Stationary Beam Anchor 3.5" - 14"

