

**Guidelines for Reach Anchor Use**

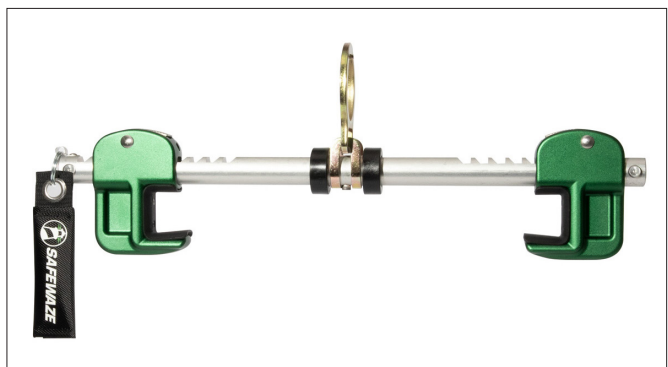
Subject: Guidelines to Follow for Reach Anchor Use
Related Products: 024-4109, 022-4086, 023-4107, 024-4110, 024-4111
Related Standards: ANSI Z359.18-2017 Type A & OSHA 1926.502, 1910.140, 1910.66
Date: 10-23-2025
Revision: 2

The Safewaze Reach Anchor is a first-man-up anchor solution designed to be used as part of a Personal Fall Arrest System. The product is for overhead, stationary applications only. Once fully and correctly installed, the Reach Anchor shall remain in place during use. The anchor must be fully uninstalled and reinstalled to move its installation location. Do not reposition the Reach Anchor by dragging its extension arms along the I-beam, pipe, and/or other pre-established anchor points.

022-4086

**Do not reposition
the Reach Anchor
once installed.**

Safewaze offers many mobile anchor points that can be repositioned during work. Two options are the Beam Trolley Anchor (018-4001) and the Beam Walker Easy Slider (021-4068). These anchors are designed to trail the user's movements in overhead or foot level tie-off applications.

018-4001**021-4068**

Refer to the Safewaze manual provided with the product, or available online, for proper use and additional installation information.

If you have any questions regarding the information in this Technical Bulletin, please contact Customer Service at (800) 230-0319.