



# FS1015

## Small Steel Carabiner

**FEATURES :**

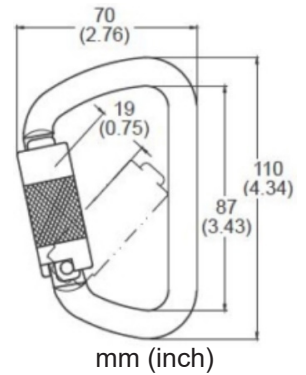
- Self-locking gate
- Gate opening: .8"
- Minimum breaking strength: 5,000 lbs.

**FALL ARREST POINT(S) :**

- 1 Carabiner

**ITEM WEIGHT :**

- .6 lbs. (.3 kg)



**USER WEIGHT CAPACITY**

ANSI	130-310 lbs. (59-140.6 kg)
OSHA	Up to 420 lbs. (190.5 kg)

**STANDARD COMPLIANT WITH**

ANSI	Z359.12-2019
OSHA	N/A

**RATING**

Gate rating	3,600 lbs.

**COMPONENT MATERIAL SPECIFICATION**

Carabiner	YCM alloy steel