



019-8041 and 019-8047 SafeLink I-Beam Base

FEATURES :

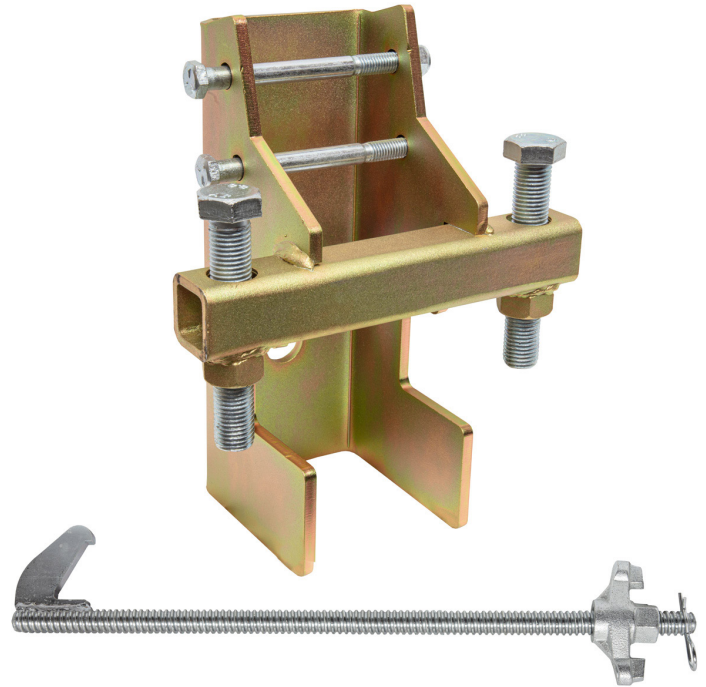
- Replacement base for the 42" I-Beam Stanchion
- Equipped with adjustable clamp
- Includes fastener set for upright and mounting bolts

FALL ARREST POINT(S) :

- N/A

ITEM WEIGHT :

- 13.8 lbs. (6.3 kg)



USER WEIGHT CAPACITY	
ANSI	N/A
OSHA	N/A

STANDARD COMPLIANT WITH	
ANSI	N/A
OSHA	1926.502, 1910.66

SIZE(S)	
019-8041	Base with 4" to 24" Clamp
019-8047	Base with 4" to 18" Clamp

COMPONENT	MATERIAL SPECIFICATION
I-Beam Base	YCM Plated Steel
Clamp	Clear Zinc Plated Steel