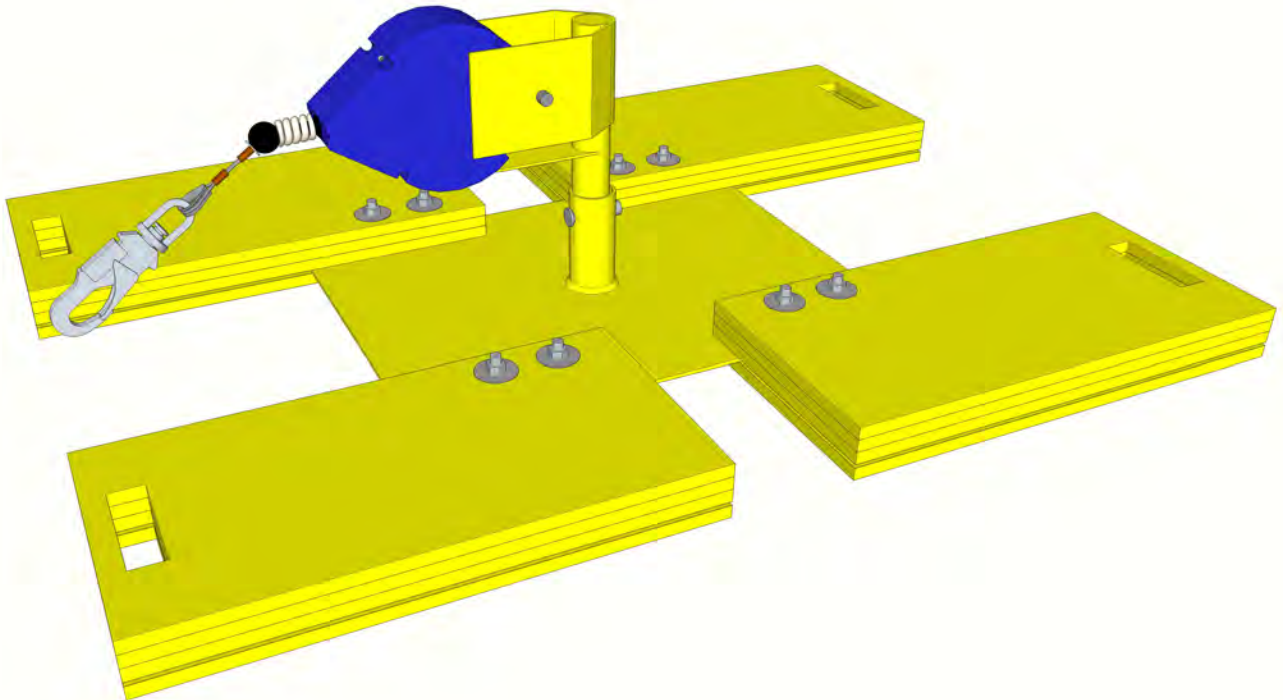




SAFEWAZE

FS-FSP17010-HWA

User Manual



WARNING



This is a design compatible component for a comprehensive Safewaze™ Personal Fall Arrest or Fall Restraint System. Each component includes an instruction manual. These instructions must be provided to the user of this equipment prior to use. AS A USER, YOU MUST READ, UNDERSTAND AND FOLLOW THE MANUFACTURER'S INSTRUCTIONS, LABELS AND WARNINGS for each component part of the complete system before using it. If you do not understand the Instruction, Labels and Warnings for the use and maintenance of this component, have them explained to you. ANY MISUSE OF THIS COMPONENT, ANY ALTERATION OR MODIFICATION OF IT, OR FAILURE TO PROPERLY FOLLOW THESE USER'S INSTRUCTIONS, MAY RESULT IN SERIOUS INJURY OR DEATH.



WARNING



This is an engineered system that requires trained and competent personnel to install. It is understood that qualified personnel are going to install this system. Because Safewaze™ cannot verify that installation will be conducted by a "competent" person per OSHA standards, Safewaze™ can no longer assume the liability for the installation, or any liability arising due to failure to install properly.

Heavyweight Anchor

INTRO.

The Heavy Weight Anchor is a portable, free-standing unit. In order to withstand the forces from a fall, the unit's components have a considerable weight to them. Caution should be used when moving the unit and components to ensure worker safety. The unit's component weights are as follows:

Mounting Plate: 20 lbs

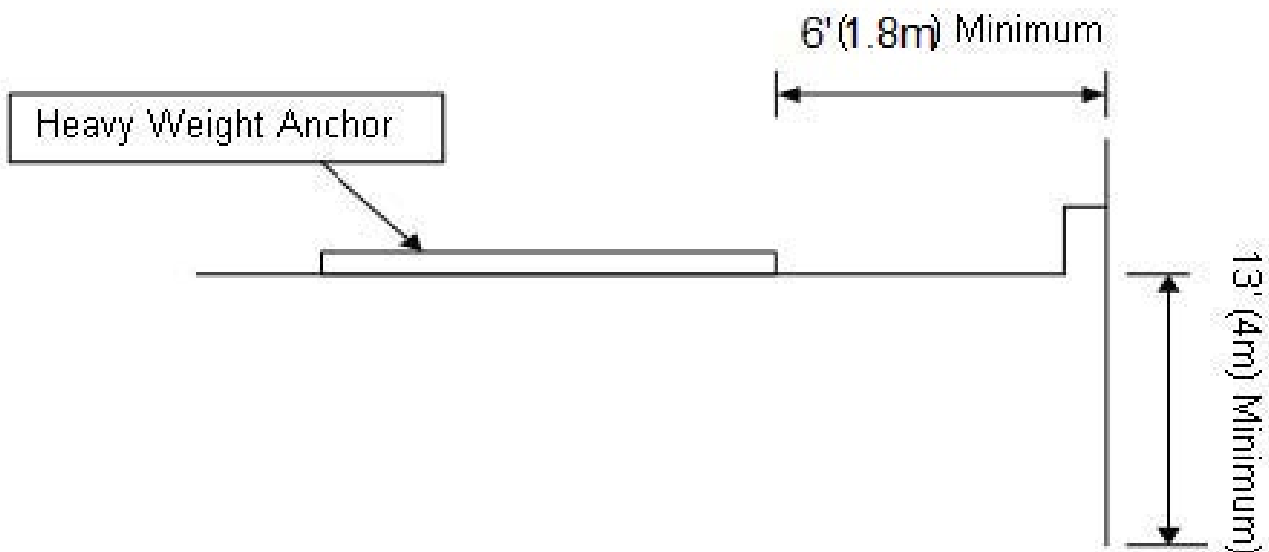
Counterweight: 50 lbs (each)

Total Unit Weight: 820 lbs (without SRL or mounting attachment)

PLACEMENT

When positioning the Heavy Weight Anchor onto a roof surface, be sure to sweep away any loose debris or material that may become between the roof surface/anchor point of contact. This is particularly important when working on surfaces with an inconsistent surface due to the possible ball-bearing effect of loose material. Do not use on wet, icy, greasy or any slippery surfaces. On a flat roof ensure that the Heavy Weight Anchor is a minimum of 6 feet (2.5 m) from the edge of the roof with less than 1 degree of pitch.

The minimum height of the building when using this unit as a fall arrest system is 13 feet (4 m). If the building is less than 13 feet (4 m), a fixed length lanyard should be used to prevent falling off the roof.



CAUTIONS

Items subjected to **FALL ARREST** or **IMPACT FORCES** must be immediately removed from service and destroyed. Any item showing **EXCESSIVE WEAR OR DETERIORATION** shall be destroyed. Inspect all equipment before each use. Failure to observe proper inspection and usage procedures could result in **INJURY** or **DEATH**.

ENVIRONMENTAL HAZARDS must be considered in selecting the appropriate equipment. Recommendation where chemicals, high temperature or other unusual conditions exist may be addressed to Safewaze™.

WEATHER HAZARDS should be considered when using fall protection. Outdoor activities should be limited or delayed when heavy rain, lightening, snow, high winds, or other conditions that could create an unsafe working surface or environment are imminent or present.

FREE FALL CONSIDERATIONS

Free fall distance should be kept to a minimum, and as required by OSHA, in no case shall exceed 6 feet. The tie-off attachment point to the lifeline or anchor should be located at or above the connection point of the fall arrest equipment on the harness.

EMPLOYEE TRAINING CONSIDERATIONS

Thorough employee training in the selection and use of personal fall arrest systems is imperative. Employees must be trained in the safe use of the system. This should include the following: application limits; proper anchoring and tie-off techniques; estimation of free fall distance, including determination of deceleration distance, and total fall distance to prevent striking lower level; methods of use; and inspection and storage of the system. Careless or improper use of the equipment can result in serious injury or death. Employers and employees should become familiar with the material in related OSHA regulations, as well as manufacturer's recommendations, before a system is used. Of uppermost importance is the reduction in strength caused by certain tie-offs (such as using knots, tying around sharp edges, etc.) and maximum permitted free fall distance. Also, to be stressed are the importance of inspections prior to use, the limitations of the equipment, and unique conditions at the worksite which may be important in determining the type of system to use. Any questions should be addressed to Safewaze™.

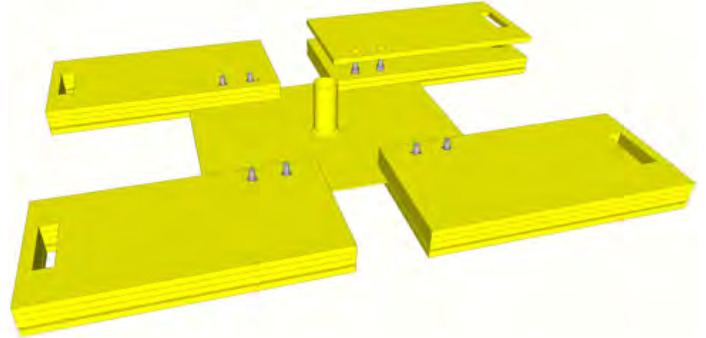
Heavyweight Anchor Installation and Set-Up

Step 1



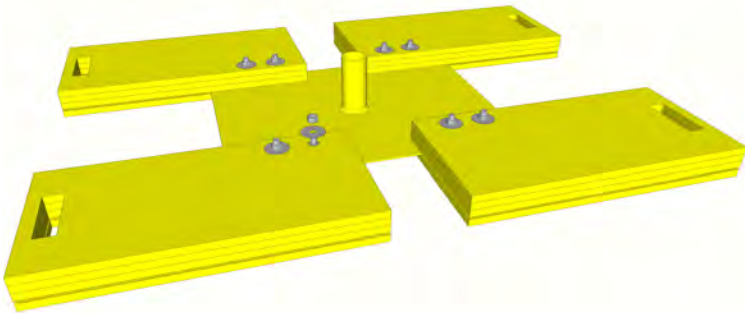
Line up bottom plates with threaded rods by installing the swivel mounting plate with grip tap contacting walking surface.

Step 3



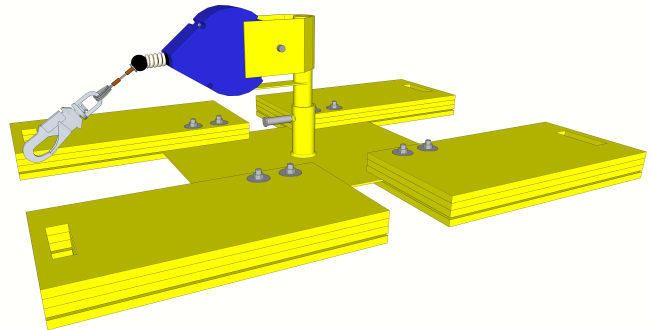
Install the remaining 12 weighted plates now that the rods are lined up.

Step 2



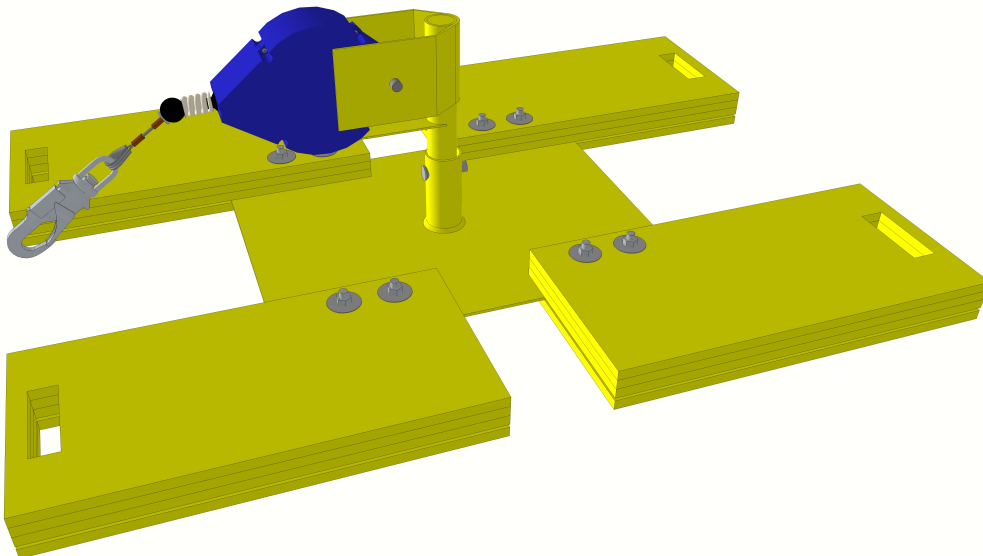
Fasten large flange washers and nuts on top of all plates with the washers contacting the plates first.

Step 4



Install swivel top and SRL making sure to install all hitch pins with cotter pins installed.

Step 5



See directions below for swivel bracket installation and instructions.

HEAVY WEIGHT ANCHOR SRL SWIVEL TOP INSTRUCTIONS

General Description: The SRL Swivel Top is a roof mounted fall protection system designed for use on Heavy Weight Anchors. It allows workers free movement while tied off to an approved and already installed Heavy Weight Anchor.

WARNING:

The user is solely responsible for obtaining and using a full-body harness and connecting equipment, as well as enforcing safe work practices when using this equipment.

1. Failure to use and/or remove Safewaze™ equipment in a safe and responsible manner can result in serious injury or death.
2. Read and fully understand all instructions, warnings, cautions, notes, etc. regarding the proper usage of this safety equipment.
3. When using and removing Safewaze™ safety equipment, Federal, State, and Local laws and regulations must be followed. Consult OSHA 1926.502 and ANSI Z359 standards for more detailed information.
4. You must plan for and follow safe work practices for each installation and removal of this equipment.
5. If you have any questions regarding the safe installation, use, and/or removal of the equipment, call Safewaze™ at (800) 230-0319.

WARNING: Federal, State, and Local standards and laws must be followed at all times. Failure to do so may result in serious injury or death.

INSTALLATION AND INSPECTION

1. Visually inspect the unit for installation/use:
 - a. Heavy Weight Anchor:
 - i. Unit is free of damage. Inspect welds and pins.
 - b. Anchor Swivel Top:
 - i. No physical damage to welds or pins.
2. **WARNING:** If the unit fails the visual inspection or test, do not use. Contact Safewaze™ for repair. **DO NOT TRY TO REPAIR THE UNIT!**
3. Ensure that the Heavy Weight Anchor is placed properly for use and fully assembled, and that the working surface is a flat rubber membrane roof that is free of debris or other hazards. See the Heavy Weight Anchor instructions for complete details.

4. *Insert the small end of the Swivel Top into the upright at the center of the Heavy Weight Anchor.*
5. *Align the hitch pin holes in the Heavy Weight Anchor upright with the hitch pin holes in the Swivel Top. Insert the supplied hitch pin through the holes, and lock it in place with the supplied cotter pin.*
6. *Ensure that the Swivel Top is properly installed by attempting to pull the Swivel Top off of the Heavy Weight Anchor.*

INSTALLING THE RETRACTABLE LIFELINE

The Safewaze™ Swivel Top is designed to accept numerous manufacturer's retractable lifelines of a maximum length of 50 feet.

1. *Remove the clevis pin from the retractable receiver wings.*
2. *Slide the retractable lifeline horizontally into position.*
3. *Reinsert the clevis pin and insert the hitch pin.*
4. *Inspect and operate the retractable lifeline as per the manufacturer's instructions.*

**WARNING: FAILURE TO FOLLOW THE RETRACTABLE
MANUFACTURER'S INSTRUCTIONS COULD RESULT IN SERIOUS INJURY
OR DEATH.**

MAINTENANCE

The following periodic routine maintenance actions are recommended:

- *Perform the visual inspection and test described under INSTALLATION before use of each unit.*

**WARNING: WHENEVER THE UNIT HAS ARRESTED A FALL, IT MUST BE
REMOVED FROM SERVICE**

If you have any further questions, please contact us:

*Safewaze
225 Wilshire Ave SW
Concord, NC 28025
(800) 230-0319
www.safewaze.com*

APPLICATION

BODY BELTS ANSI CLASS I, OSHA

Body Belts are to be worn snug around the body. If a belt or harness does not fit properly, replace it with the correct size. The fall arrest connection on the harness must be positioned in center of the wearer's back near shoulder level. **DO NOT USE A BODY BELT FOR FALL ARREST, DO NOT ALTER.**

BODY HARNESS ANSI CLASS III, OSHA

Harnesses are to be worn snug around the body. Used for positioning, restraint or fall arrest. Body harnesses distribute the fall arresting forces throughout a large area of the body. When used for fall arrest an approved energy absorber should be used whenever possible. If conditions do not allow for the use of an energy absorber, the system must be used so that forces imposed on the body do not exceed OSHA's limit of 1800 pounds.

SUSPENSION BELTS ANSI CLASS IV, OSHA

Used to suspend a worker in a work area where no other means of support is available. **NOT FOR FALL ARREST.** An independent fall arrest system attached to an OSHA compliant anchorage must be used with a suspension system.

HARDWARE

Belts, harnesses and lanyards are equipped with snap hooks, D-rings and other hardware designed specifically as matched elements. Use of incompatible hardware can be unsafe! Use of mismatched hardware can result in the inadvertent release of the snap hook (roll-out) caused by external pressure on the snap hook gate. In all cases the user must check any attachment method to make sure it cannot bring pressure on the snap hook gate in a manner to permit accidental opening. Snap hooks shall not be snapped to a D-ring if the snap hook gate opening is larger than $\frac{3}{4}$ of an inch. Snap hooks shall have a 5000 pound minimum tensile strength rating. Visually examine the connection for positive snap hook engagement. Use locking snap hooks for all connections.

SELF RETRACTING LANYARD (SRLs)

Each user should weigh no more than the maximum rated load for the energy absorbing lanyard/SRL. The lanyard/SRL shall be capable of limiting the fall arrest load to less than 900 lbs (4kN).

INSPECTION, MAINTANANCE AND SERVICING

A. Inspection and General Maintenance

The Heavyweight Anchor has been designed to be used under a variety of conditions. It uses high-grade components that are impact and corrosion resistant. However, the System's working life depends on factors such as correct care and maintenance and the environment in which the system is installed. Before each occasion of use a visual check must be conducted to ensure the System is fit for purpose.

If the System is deformed in a way which is uncharacteristic of the System, you should not use it. Report the fault(s) to Safewaze™.

DO NOT attempt to repair the System yourself, as this invalidates performance warranties and can put personnel in danger.

The Heavyweight Anchor is virtually maintenance free depending on the environment. Occasionally the System may need cleaning. This should be done with a soft brush, warm water and a mild detergent. Ensure that the parts are rinsed thoroughly with plenty of clean water. Although highly resistant to chemicals and environmental conditions, take all precautions to avoid contaminating the System with acids, bitumen, cement, chloride, paint, or aggressive cleaning fluids.

B. Servicing

In accordance with manufacturer's recommendations and current national standards, a System that is in regular use should be inspected by a competent person of fall protection at least once annually.

It should be inspected visually for defects before each use.

If the System has sustained a fall arrest impact, has been damaged, or is defective in any way, it must be immediately categorized as unfit for use. The use of the System must be discontinued. Upon removal from use, contact Safewaze™ for servicing and/or repair guidance.

Contact Information

Safewaze

**225 Wilshire Ave SW
Concord, NC 28025**

(800) 230-0319

www.safewaze.com

