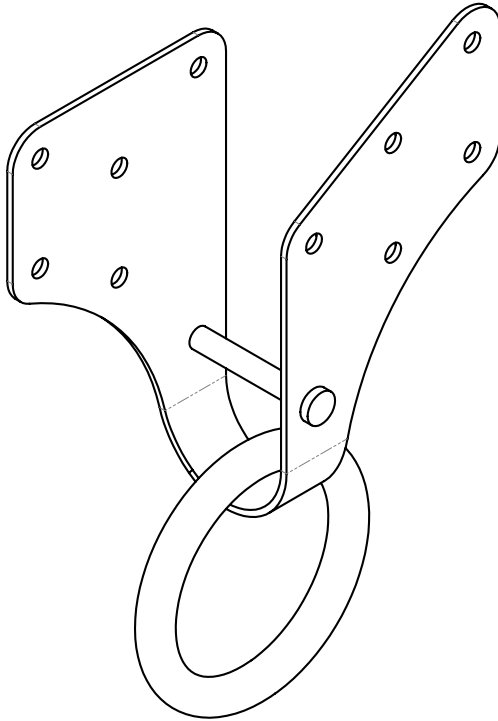




# SAFEWAZE™



## OPERATION AND INSTRUCTION MANUAL

### Wood Truss Anchor

### Model: SW-EX180



**WARNING:** ALL PERSONS USING THIS EQUIPMENT MUST READ AND UNDERSTAND ALL INSTRUCTIONS. FAILURE TO DO SO MAY RESULT IN SERIOUS INJURY OR DEATH. USERS SHOULD BE FAMILIAR WITH PERTINENT REGULATIONS GOVERNING THIS EQUIPMENT. ALL INDIVIDUALS WHO USE THIS PRODUCT MUST BE PROPERLY INSTRUCTED ON HOW TO USE THE DEVICE. AVOID CONTACT WITH PHYSICAL HAZARDS (THERMAL, CHEMICAL, ELECTRICAL, ETC.). MAKE ONLY COMPATIBLE CONNECTIONS.

# Read This Instruction Manual Carefully Before Using This Equipment.

User Instructions must always be available to the user and are not to be removed except by the user of this equipment. For proper use, see supervisor, User Instructions, or contact the manufacturer.



## WARNING

Compliant fall protection and emergency rescue systems help prevent serious injury during fall arrest. Users and purchasers of this equipment must read and understand the User Instructions provided for correct use and care of this product. All users of this equipment must understand the instructions, operation, limitations and consequences of improper use of this equipment and be properly trained prior to use.\*\*

**Misuse or failure to follow warnings and instructions may result in serious personal injury or death.**

### PURPOSE

The SW-EX180 is an anchorage connector designed to function as an interface between the anchorage and a fall protection, work positioning, rope access, or rescue system for the purpose of coupling the system to the anchorage. Any references to "anchorage connector" in this manual include, and apply to, the SW-EX180.

### USE INSTRUCTIONS

1. A user must be of sound mind and body to properly and safely use this equipment in normal and emergency situations. Users must have a physician ensure they are clear of any medical conditions that may affect the proper and safe use of this equipment in normal and emergency situations.
2. Before using a personal fall arrest system, user must be trained in the safe use of the system and its components.\*\*
3. Use only with ANSI/OSHA compliant personal fall arrest or restraint systems. The anchorage must have the strength capable of supporting a static load, applied in the directions permitted by the system, of at least 5,000-lbf (22kN) in the absence of certification.
4. The user shall be equipped with a means of limiting the maximum dynamic forces exerted on the user during the arrest of a fall to a maximum of 900-lbf (4kN).
5. Use of this product must be approved by an engineer or other qualified person\* to be compatible\* with any and all structural & operational characteristics of the selected installation location and system to be connected to this anchorage connector.
6. The anchorage connector must be inspected prior to each use for wear, damage, and other deterioration. If defective components are found the anchorage connector must be immediately removed from service in accordance with the requirements in accordance with the INSPECTION AND MAINTENANCE LOG.\*\*
7. The anchorage connector should be positioned in such a way that minimizes the potential for falls and the potential fall distance during use. The complete fall protection system must be planned (including all components, calculating fall clearance, and swing fall) before using.
8. A rescue plan, and the means at hand to implement it, must be in place that provides the prompt rescue of users in the event of a fall, or assures that users are able to rescue themselves.
9. After a fall occurs the anchorage connector must be removed from service and destroyed immediately.

**USE LIMITATIONS: The anchorage connector shall not be used outside its limitations, or for any purpose other than that for which it is intended.**

1. The anchorage connector is designed for single user, with a capacity up to 310 lbs (140 kg) including clothing, tools, etc.
2. The anchorage connector may only be loaded in acceptable directions shown in the LOADING CONDITIONS DIAGRAM.
3. The anchorage connector is designed to be used in temperatures ranging from -40°F to +130°F (-40°C to +54°C).
4. Do not expose the anchorage connector to chemicals or harsh solutions which may have a harmful effect.
5. Do not alter or modify this product in any way.
6. Caution must be taken when using any component of a fall protection, work positioning, rope access, or rescue system near moving machinery, electrical hazards, sharp edges, or abrasive surfaces, as contact may cause equipment failure, personal injury, or death.
7. Do not use/install equipment without proper training by a qualified person.\*
8. Do not remove the labeling from this product.
9. Additional requirements and limitations may apply depending on anchorage type and fastening option utilized for installation. All placements must be approved by an engineer or other qualified person.\*
10. This anchorage connector should not be used as part of a horizontal lifeline system.
11. The anchorage connector should only be used for personal fall protection and not for lifting equipment.

### COMPATIBILITY LIMITATIONS

Anchorage connector must only be coupled to compatible connectors\*. Snaphooks are prohibited from being engaged to certain objects unless two requirements are met: it must be a locking type snaphook, and it must be "designed for" making such a connection. "Designed for" means that the manufacturer of the snaphook specifically designed the snaphook to be used to connect to the equipment listed. The following connections must be avoided, because they can result in roll-out\* when a non-locking snaphook is used:

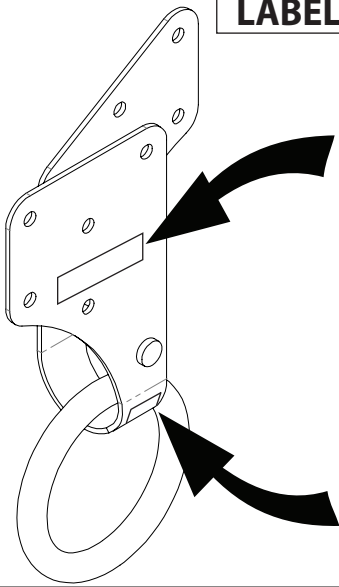
- Direct connection of a snaphook to horizontal lifeline.
- Two (or more) snaphooks connected to one D-ring.
- Two snaphooks connected to each other.
- A snaphook connected back on its integral lanyard.
- A snaphook connected to a webbing loop or webbing lanyard.
- Improper dimensions of the D-ring, rebar, or other connection point in relation to the snaphook dimensions that would allow the snaphook keeper to be depressed by a turning motion of the snaphook.

\*Refer to ANSI Z359.0 for definition.

\*\* Additional requirements may be applicable according to local regulatory and voluntary standards.

These may include, but are not limited to: OSHA 29 CFR 1910, OSHA 29 CFR 1926, ANSI Z359, and ANSI A10.32.

## LABEL LOCATIONS



Wood Truss Anchor

Model: SW-EX180

MFD: mm/yyyy

OSHA 1910.140 & 1926.502

Batch: WTA-xxx

3600-lbf (16kN) MBS

Max Capacity: 1 User (310-lbs)

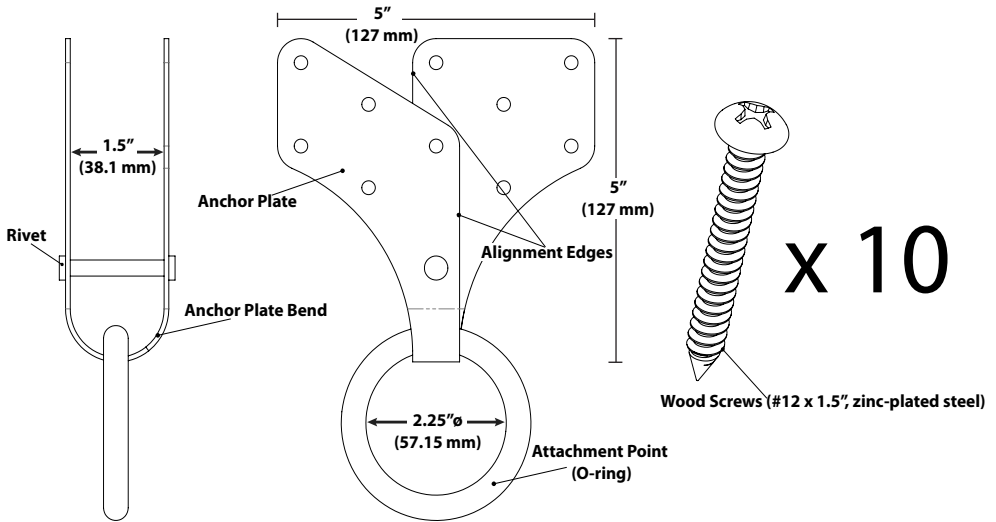
**DO NOT REMOVE**

**INSPECT BEFORE USE**



**WARNING:** ALL USERS OF THIS EQUIPMENT MUST READ AND UNDERSTAND ALL INSTRUCTIONS. FAILURE TO DO SO MAY RESULT IN SERIOUS INJURY OR DEATH. USERS SHOULD BE FAMILIAR WITH PERTINENT REGULATIONS GOVERNING THIS EQUIPMENT. ALL USERS OF THIS PRODUCT MUST BE PROPERLY INSTRUCTED ON HOW TO USE THE DEVICE. MAKE ONLY COMPATIBLE CONNECTIONS. THE STEEL O-RING IS THE ONLY COMPATIBLE CONNECTION POINT ON THIS ANCHORAGE CONNECTOR.

## TERMS AND DIMENSIONS



**Minimum Breaking Strength (MBS): 3600-lbf (16kN)**

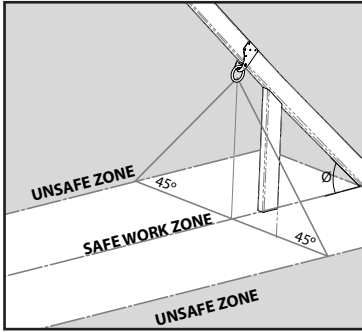
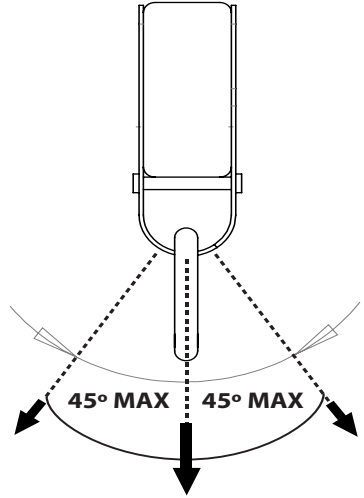
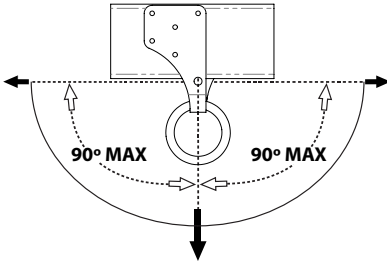
**Max Capacity: One person, 310-lbs (140 kg)**

**Weight: 0.7 lbs. (.32 kg)**

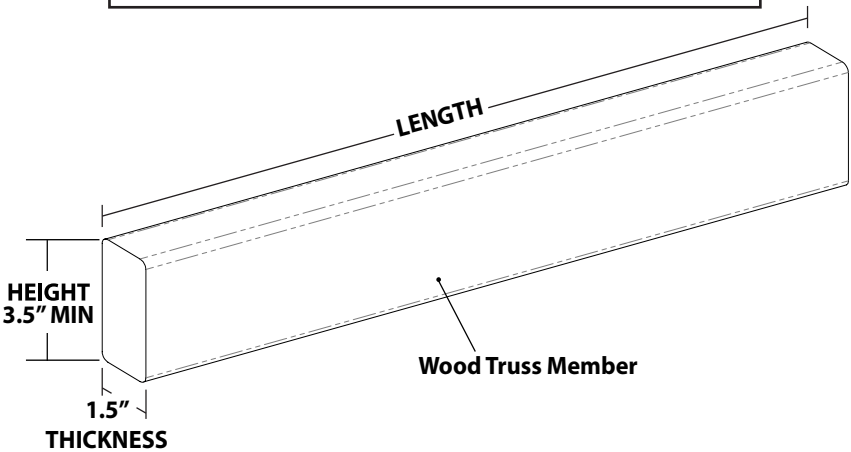
**Materials: Zinc-Plated Steel, Stainless Steel**

**Regulatory Compliance: OSHA 1910.140, OSHA 1926.502**

# LOADING CONDITIONS DIAGRAM



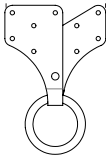
# ANCHORAGE REQUIREMENTS



- Only install in Wood Truss Members with a nominal thickness of 2" (1.5" actual) and a nominal height of 4" (3.5" actual) or greater.
- Anchorage must be capable of supporting 3,600-lbf (16kN), or be designed, installed, used under supervision of a qualified person, and as part of a complete personal fall protection system that maintains a safety factor of at least two.
- Wood Truss Member and all other structural members supporting it must be free of voids, rot, decay, and any other factors that may reduce anchorage strength below previous requirements. Additional factors that may significantly affect the lumber strength include but are not limited to: species, grade, knots, splits, cracks, certain grain qualities, moisture content, and temperature.
- **A Qualified person must determine if a specific installation location will meet all ANCHORAGE REQUIREMENTS.**

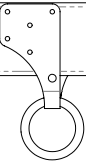
# INSTALLATION INSTRUCTIONS

1



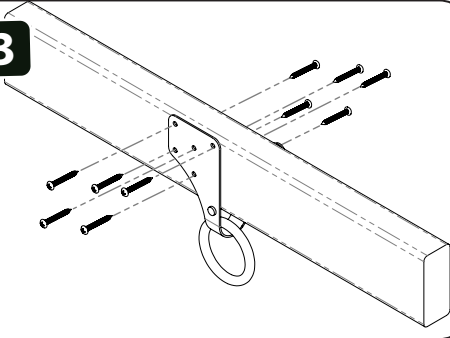
1. Choose location in Wood Truss Member. A qualified person must determine if a specific installation location will meet all ANCHORAGE REQUIREMENTS.

2



2. Place Anchorage Connector on Wood Truss Member and align. Rivet should be flush with Wood Truss Member. Alignment edge should be perpendicular to length of Wood Truss Member.

3



3. Fasten with all ten wood screws (included). Note: To decrease the chance of splitting, Pilot holes ( $7/64'' \text{Ø}$  for soft woods or  $1/8'' \text{Ø}$  in hard woods) are recommended. If splitting occurs the anchorage connector **must be** moved to a new approved location.

**WARNING: Do not overtighten screws. Proper installation requires all ten wood screws to be fastened without stripping.**

4



4. Connect personal arrest system (PFAS) to attachment point. PFAS must limit fall arrest forces to 900-lbf (4kN) or less.

**WARNING: Make only compatible connections. Only connect to the specified attachment point (O-ring). Direct connection in any other location is prohibited.**





## **Product Warranty, Limited Remedy and Limitation of Liability**

**WARRANTY: THE FOLLOWING IS MADE IN LIEU OF ALL WARRANTIES OR CONDITIONS, EXPRESS OR IMPLIED, INCLUDING THE IMPLIED WARRANTIES OR CONDITIONS OF MERCHANTABILITY OR FITNESS FOR A PARTICULAR PURPOSE.** Equipment offered by SafeWaze is warranted against factory defects in workmanship and materials for a period of one year from date of purchase or first use by the original owner.

**LIMITED REMEDY:** Upon notice in writing, SafeWaze will repair or replace all defective items at SafeWaze's sole discretion. SafeWaze reserves the right to require that the defective item be returned to its plant for inspection before determining the appropriate course of action. Warranty does not cover equipment damage resulting from wear, abuse, damage in transit, failure to maintain the product or other damage beyond the control of SafeWaze. SafeWaze shall be the sole judge of product condition and warranty options. This warranty applies only to original purchaser and is the only warranty applicable to this product. Please contact SafeWaze technical service department for assistance.

**LIMITATION OF LIABILITY: IN NO EVENT WILL SAFEWAZE BE LIABLE FOR ANY INDIRECT, INCIDENTAL, SPECIAL OR CONSEQUENTIAL DAMAGES INCLUDING, BUT NOT LIMITED TO LOSS OF PROFITS, IN ANY WAY RELATED TO THE PRODUCTS REGARDLESS OF THE LEGAL THEORY ASSERTED.**